

RICHIEDENTE
APPLICANT / CLIENT

.....
.....
.....



TIMBRO / CUSTOMER'S SEAL / TAMPON

MODELLO **ITALO : IT-C225**
MODEL / MODELE

ALTEZZA **2250 mm**
HEIGHT / HAUTEUR



REVERSIBILE
REVERSIBLE / REVERSIBLE

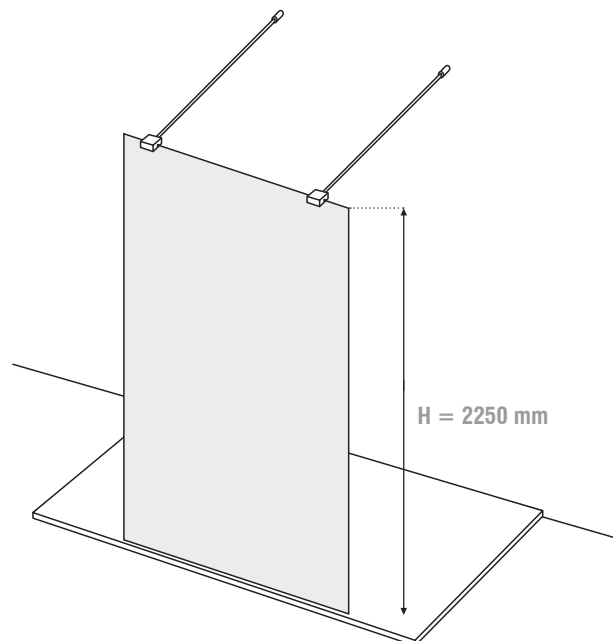
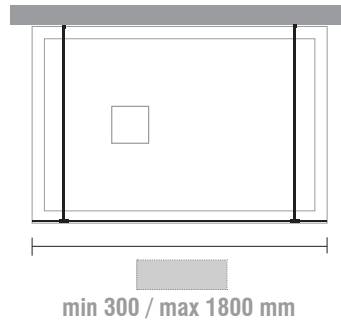
SP. VETRO **8 mm**
HEIGHT / HAUTEUR

LASTRA **Trasparente**
GLASS / VERRE

COLORE
COLOUR / COULEUR

NOTE / NOTES / NOTES

.....
.....
.....



DATA - DATE - DATE

ver. 2021