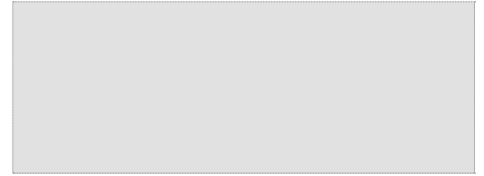


**RICHIEDENTE**  
APPLICANT / CLIENT

.....  
.....  
.....



TIMBRO / CUSTOMER'S SEAL / TAMPON

**MODELLO** **ITALO : IT-10**  
MODEL / MODELE

**ALTEZZA** ..... mm.  
HEIGHT / HAUTEUR



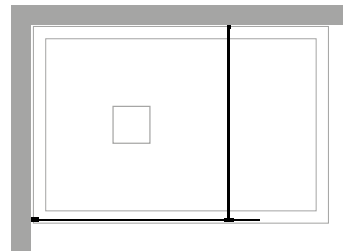
**REVERSIBILE**  
REVERSIBLE / REVERSIBLE

**SP. VETRO** **10 mm**  
HEIGHT / HAUTEUR

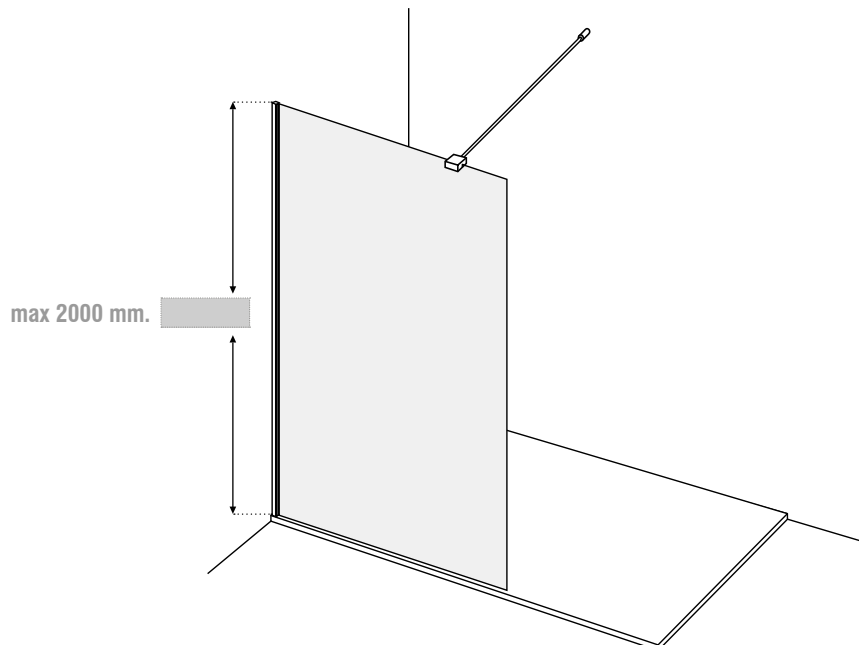
**LASTRA** .....  
GLASS / VERRE

**COLORE** .....  
COLOUR / COULEUR

**NOTE** / NOTES / NOTES  
.....  
.....  
.....



min 300 / max 1800 mm.



max 2000 mm.