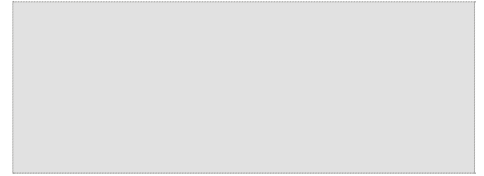


RICHIEDENTE
APPLICANT / CLIENT

.....
.....
.....



TIMBRO / CUSTOMER'S SEAL / TAMPON

MODELLO **SPADO : SD-ASC**
MODEL / MODELE

ALTEZZA mm.
HEIGHT / HAUTEUR



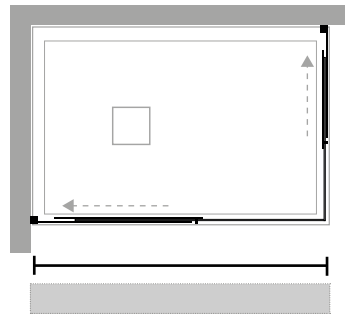
REVERSIBILE
REVERSIBLE / REVERSIBLE

LASTRA
GLASS / VERRE

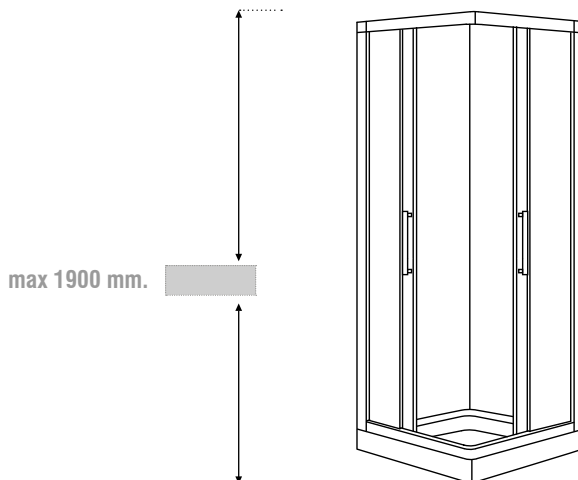
COLORE
COLOUR / COULEUR

NOTE / NOTES / NOTES

.....
.....
.....



min 450 / max 1200 mm.



max 1900 mm.