

RICHIEDENTE
APPLICANT / CLIENT

.....
.....
.....



TIMBRO / CUSTOMER'S SEAL / TAMPON

MODELLO
MODEL / MODELE **MINDY : MI-SV**

ALTEZZA
HEIGHT / HAUTEUR mm.



NON REVERSIBILE
NON-REVERSIBLE / NON REVERSIBLE

LASTRA
GLASS / VERRE

COLORE
COLOUR / COULEUR

INSTALLAZIONE
INSTALLATION / TYPE D'INSTALLATION

A PAVIMENTO
FLOOR INSTALLATION
SUR LE SOL

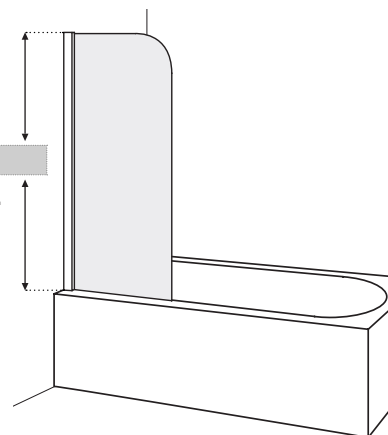
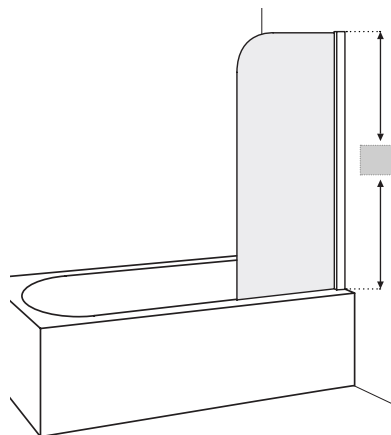
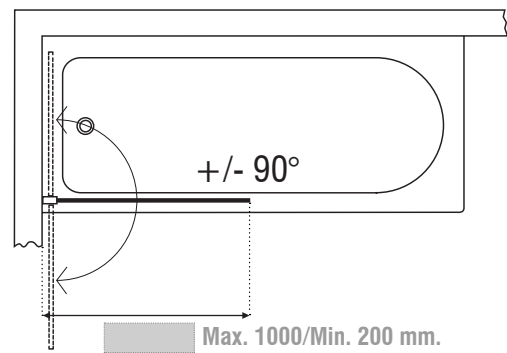
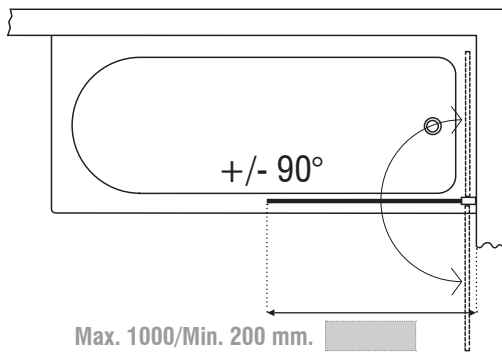
SU PIATTO DOCCIA
SHOWER TRAY INSTALLATION
SUR RECEVEUR

NOTE / NOTES / NOTES

.....
.....
.....

VERSIONE DESTRA (DX)
RIGHT HANDED (DX) / VERSION DROITE (DX)

VERSIONE SINISTRA (SX)
LEFT HANDED (SX) / VERSION GAUCHE (SX)



DATA - DATE - DATE

ver. 05/2020