

**RICHIEDENTE**  
APPLICANT / CLIENT

.....  
.....  
.....



TIMBRO / CUSTOMER'S SEAL / TAMPON

**MODELLO**  
MODEL / MODELE **MORK : MO-SV**

**ALTEZZA**  
HEIGHT / HAUTEUR ..... mm.



**NON REVERSIBILE**  
NON-REVERSIBLE / NON REVERSIBLE

**LASTRA**  
GLASS / VERRE .....

**COLORE**  
COLOUR / COULEUR .....

**INSTALLAZIONE**  
INSTALLATION / TYPE D'INSTALLATION

**A PAVIMENTO**  
FLOOR INSTALLATION  
SUR LE SOL

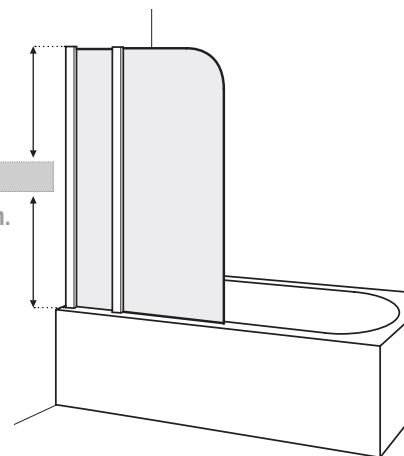
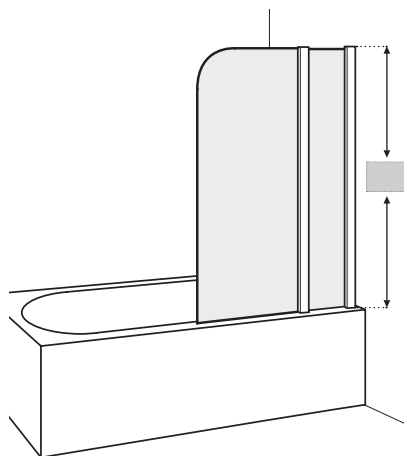
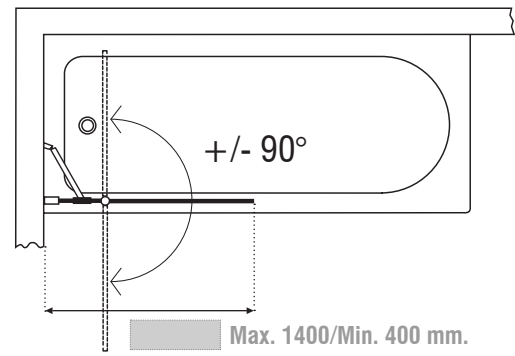
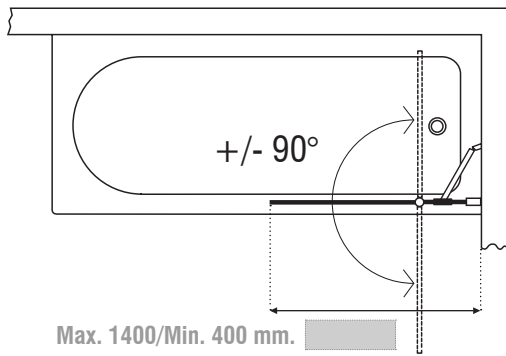
**SU PIATTO DOCCIA**  
SHOWER TRAY INSTALLATION  
SUR RECEVEUR

**NOTE** / NOTES / NOTES

.....  
.....  
.....

**VERSIONE DESTRA (DX)**  
RIGHT HANDED (DX) / VERSION DROITE (DX)

**VERSIONE SINISTRA (SX)**  
LEFT HANDED (SX) / VERSION GAUCHE (SX)



DATA - DATE - DATE .....

ver. 05/2020