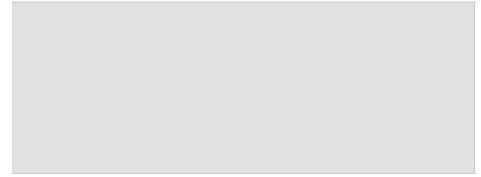


RICHIEDENTE
APPLICANT / CLIENT

.....
.....
.....



TIMBRO / CUSTOMER'S SEAL / TAMPON

MODELLO **FISSO JOLLY : CO-F4**
MODEL / MODELE

ALTEZZA
HEIGHT / HAUTEUR

..... mm.



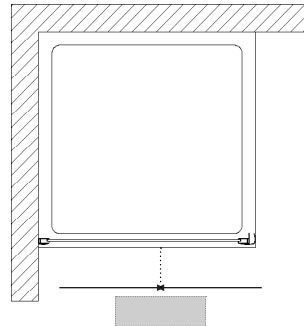
REVERSIBILE
REVERSIBLE / REVERSIBLE

LASTRA
GLASS / VERRE

COLORE
COLOUR / COULEUR

.....
.....
.....

NOTE / NOTES / NOTES



Max. 1200 mm. **CRISTALLO** / TEMPERED GLASS / VERRE TRAMPÉ
Max. 1030 mm. **SINTETICO** / ACRYLIC GLASS / ACRYLIQUE

