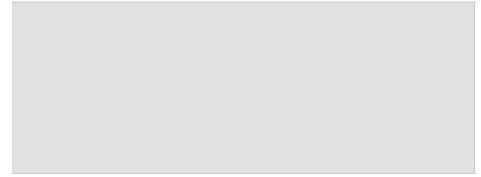


**RICHIEDENTE**  
APPLICANT / CLIENT

.....  
.....  
.....



TIMBRO / CUSTOMER'S SEAL / TAMPON

**MODELLO** **NEW RODI : CO-ASCR**  
MODEL / MODELE

**ALTEZZA**  
HEIGHT / HAUTEUR

..... mm.



**REVERSIBILE**  
REVERSIBLE / REVERSIBLE

**LASTRA**  
GLASS / VERRE

.....

**COLORE**  
COLOUR / COULEUR

**NOTE** / NOTES / NOTES

.....  
.....  
.....

## Attenzione !

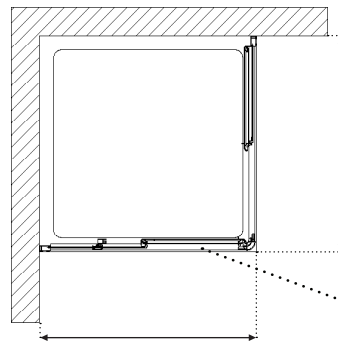
**Per modelli superiori a 870 mm.  
aumenta solo la larghezza del fisso.**

Note:

for models > 870 mm only the fixed panel increases in dimension.

Attention:

pour modèles sup. à 870 mm., c'est la dimension du fixe qui augmente.



Max. 1200 mm.

Max. 1200 mm.

Anta / Door / Porte  
L. Max. 420 mm.

Max. 2100 mm.

