

RICHIEDENTE
APPLICANT / CLIENT

.....
.....
.....
.....

MODELLO
MODEL / MODELE

FONT : FO-ABA + FO-F

ALTEZZA
HEIGHT / HAUTEUR

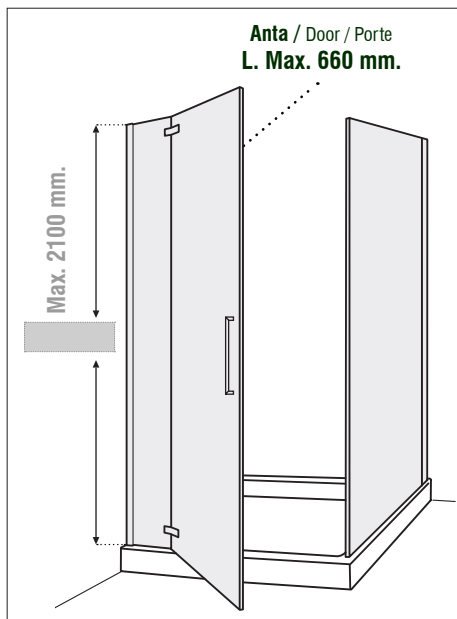
..... mm.

COLORE
COLOUR / COULEUR

.....

LASTRA
GLASS / VERRE

.....



INSTALLAZIONE
INSTALLATION / TYPE D'INSTALLATION

A PAVIMENTO
FLOOR INSTALLATION
SUR LE SOL

SU PIATTO DOCCIA
SHOWER TRAY INSTALLATION
SUR RECEVEUR

NOTE / NOTES / NOTES

.....
.....
.....

TIPOLOGIA D'INSTALLAZIONE A PAVIMENTO
FLOOR INSTALLATION / MONTAGE AU SOL

MONTAGGIO: "STANDARD COME SU PIATTO DOCCIA"
STANDARD INSTALLATION AS ON SHOWER TRAY
MONTAGE COMME SUR RECEVEUR DE DOUCHE

MONTAGGIO: "CON FUGA A MEZZERIA DEL VETRO"
INSTALLATION WITH CENTER OF THE GLASS ON THE GROUT LINE BETWEEN TILES
MONTAGE AVEC JOINT CARRELAGE AU CENTRE DU VERRE

