

RICHIEDENTE
APPLICANT / CLIENT

.....
.....
.....



TIMBRO / CUSTOMER'S SEAL / TAMPON

MODELLO
MODEL / MODELE

FONT : FO-PBA

ALTEZZA
HEIGHT / HAUTEUR

..... mm.



REVERSIBILE
REVERSIBLE / REVERSIBLE

LASTRA
GLASS / VERRE

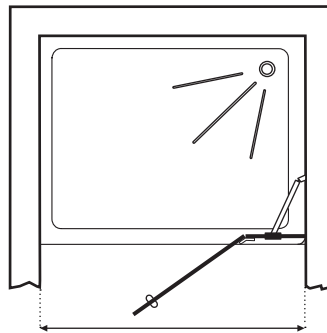
.....

COLORE
COLOUR / COULEUR

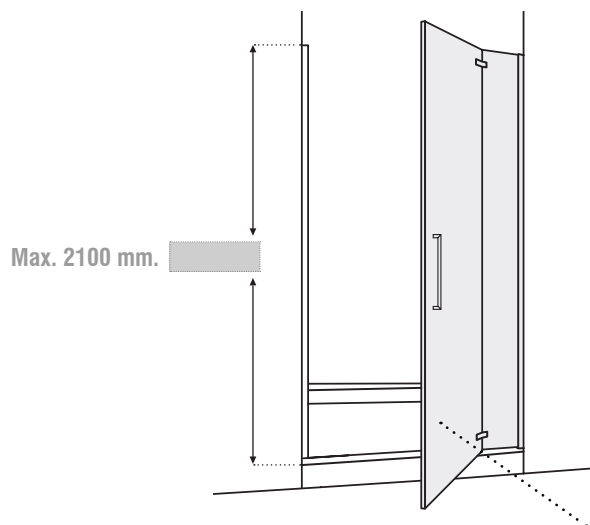
.....

NOTE / NOTES / NOTES

.....
.....
.....



Max. 1400/Min. 610 mm.



Max. 2100 mm.

Anta / Door / Porte
L. Max. 660 mm.

DATA - DATE - DATE