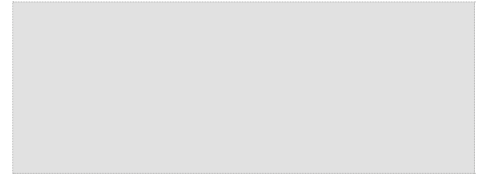


**RICHIEDENTE**  
APPLICANT / CLIENT

.....  
.....  
.....



TIMBRO / CUSTOMER'S SEAL / TAMPON

**MODELLO** **DINO : DN-PGI**  
MODEL / MODELE

**ALTEZZA**  
HEIGHT / HAUTEUR

..... mm.



**REVERSIBILE**  
REVERSIBLE / REVERSIBLE

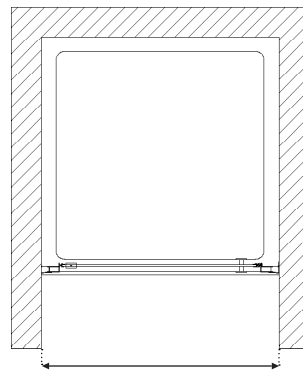
**LASTRA**  
GLASS / VERRE

.....

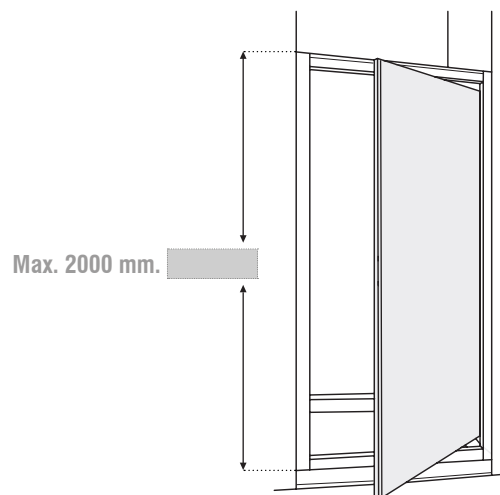
**COLORE**  
COLOUR / COULEUR

**NOTE** / NOTES / NOTES

.....  
.....  
.....



Max. 1000/Min. 500 mm.



Max. 2000 mm.