

RICHIEDENTE
APPLICANT / CLIENT

.....
.....
.....



TIMBRO / CUSTOMER'S SEAL / TAMPON

MODELLO **DADO MAXI : DM-PGI**
MODEL / MODELE

ALTEZZA mm.
HEIGHT / HAUTEUR

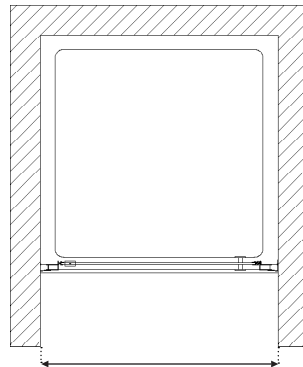


REVERSIBILE
REVERSIBLE / REVERSIBLE

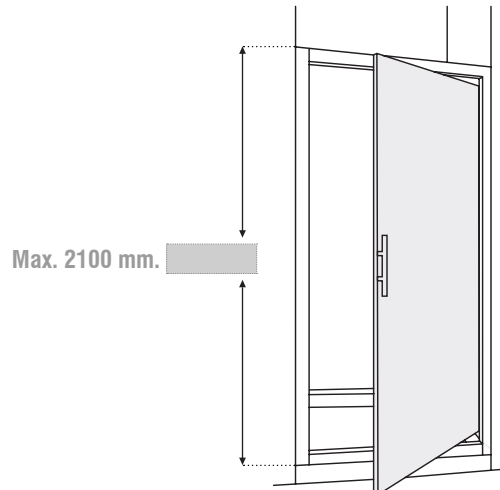
LASTRA
GLASS / VERRE

COLORE
COLOUR / COULEUR

NOTE / NOTES / NOTES
.....
.....
.....



Max. 950/Min. 500 mm.



Max. 2100 mm.